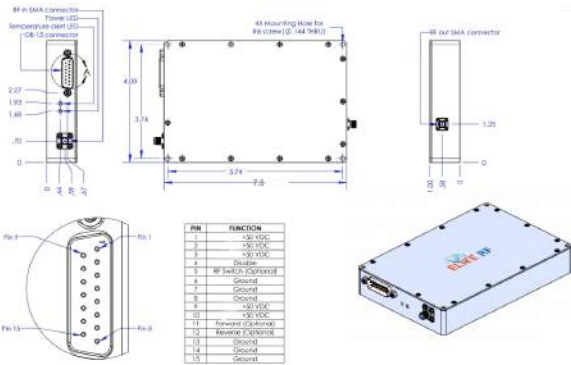


### General Description:

This system is a broadband power amplifier designed for CW/Digital/Pulse signals and general-purpose amplification. Using advanced high power density LDMOS and GaN semiconductor devices, these high-performance amplifiers achieve high efficiency, high gain, and wide dynamic range. Like all Elite RF amplifiers, the product comes with an industry leading **5-year warranty**



### Features

0.5 – 2.5 GHz  
25 watts  
42 dB gain  
Class A  
50 VDC  
On/Off Enable- Ground to disable amplifier

### Indicator options

DC Power  
Temp Fault

### Protections

Thermal Overload  
Over Voltage  
Reverse Polarity

## ELECTRICAL SPECIFICATIONS

Parameter	Symbol	Min	Typ	Max	Unit
Frequency Range	BW	0.5		2.5	GHz
Output Power CW	Psat		50		Watt
Output Power at 1 dB Compression	P1dB		25		Watt
Small Signal Gain	Gp		42		dB
Gain Flatness @ Psat	Delta Gp 1		+/- 2		dB
Input VSWR	S11		2:1		-
IMD @ 1.5 GHz @ 30 dBm/ tone	IP3		54		dBm
Harmonics at 25 Watts	H		-20		dBc
Spurious Signals	Spur		-60		dBc
Operating Voltage	VDC	48	50	51	VDC
Current at 25 watts	Current		4		Amps
Class of Operation	C		A		Class
Noise Figure	NF		5		dB
Large Signal Gain	Lsg		40		dB

## ENVIRONMENTAL CHARACTERISTICS

Parameter	Symbol	Min	Typ	Max	Unit
Operating Case Temperature	Tc	-20		+60	Deg C
Storage Temperature	Tstg	-40		+85	Deg C
Relative Humidity (non-condensing)	RH			95	%
Altitude	ALT			10,000	Feet
Vibration/Shock	VI /SH			Normal Truck Transport	

## MECHANICAL CHARACTERISTICS

Parameter	Symbol	Min	Typ	Max	Unit
Dimensions	Dim		7.5 x 4 x 1		Inches
Weight	Wt.		2		lbs.
Connectors In/Out	RF Conn		SMA/SMA		-
Cooling	Th		Heatsink required		-