

# LINEAR WIDEBAND POWER AMPLIFIER

**Model – MB030512M565028**

## General Description:

Elite RF's MB Series amplifier is a wideband power amplifier designed for CW/Pulse signals fabricated on LDMOS process and can operate up to **512 MHz**. These amplifiers offer high power density, low thermal resistance, and wideband performance. They can be widely used for military and commercial applications.

Like all Elite RF amplifiers, this product comes with an industry leading warranty.



### Features

Wide Freq. Range  
High Output Power  
High Gain  
High Reverse Isolation  
Built-in Protection  
Enable/Disable input (ground to disable)  
Input limiter after +15 dBm

### Indicator options

DC Power  
Temp Fault

### Protections

Thermal Overload  
Over Voltage  
Reverse Polarity

## ELECTRICAL SPECIFICATIONS

Parameter	Symbol	Min	Typ	Max	Unit
Frequency Range	BW	30		512	MHz
Output Power CW	Psat		350		Watt
Output Power at 1 dB Compression	P1dB		150		Watt
Small Signal Gain	Gp		52		dB
Gain Flatness	Delta Gp 1		+/- 2		dB
Input VSWR	S11		2:1		Ratio
IMD @ 1 watt/tone @ 1 MHz sp. @ 250 MHz	IP3		57		dBm
Harmonics	H		-20		dBc
Spurious Signals	Spur		-60		dBc
Operating Voltage	VDC	27	28	29	VDC
Current at 350 watts	Current		29		Amps
Class of Operation	C		AB		Class
Noise Figure	NF		7		dB
Large Signal Gain	Lsg		50		dB
Max Load VSWR @ 350 Watts	ML		6:1		Ratio

## ENVIRONMENTAL CHARACTERISTICS

Parameter	Symbol	Min	Typ	Max	Unit
Operating Case Temperature	Tc	-20		+60	Deg. C
Storage Temperature	Tstg	-40		+85	Deg. C
Relative Humidity (non-condensing)	RH		95		%
Altitude	ALT			10,000	Feet
Vibration/Shock	VI /SH		6.06 gRMS		RMS

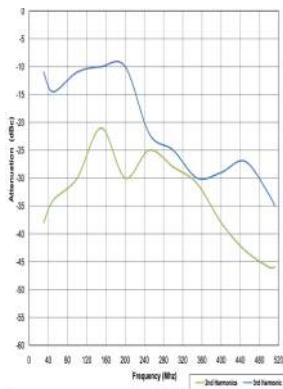
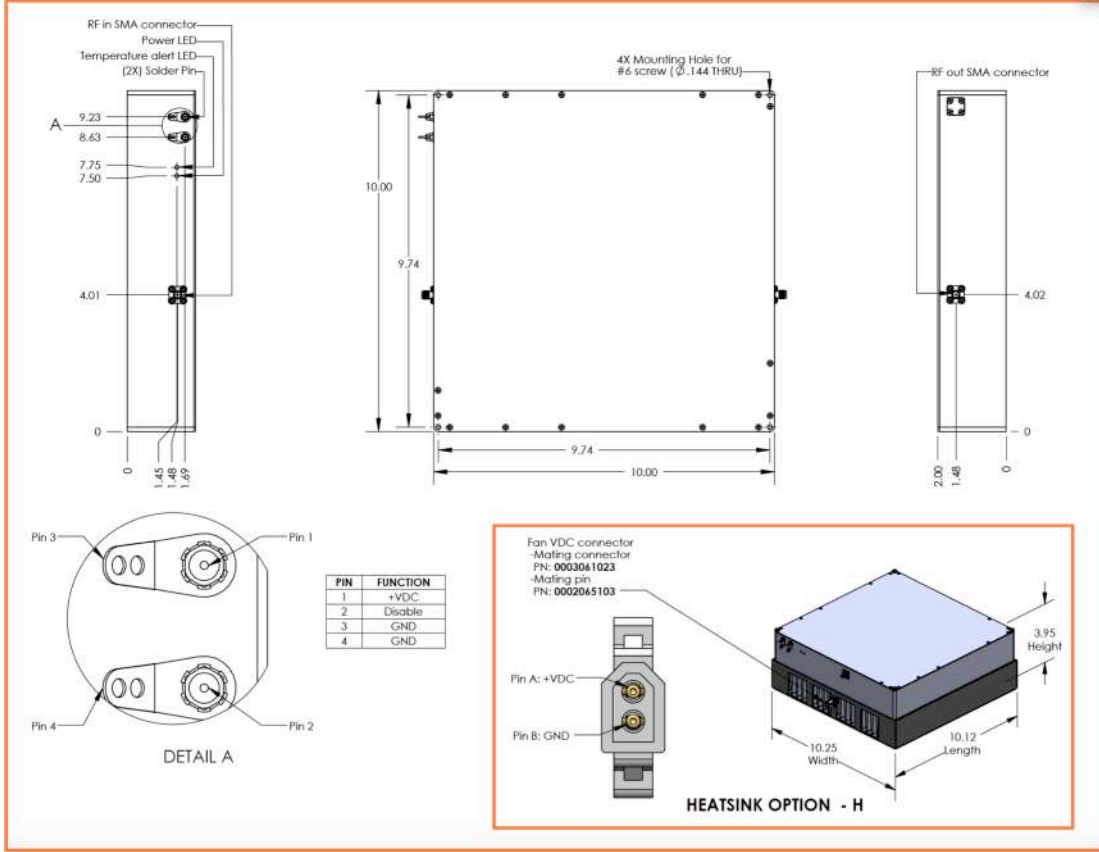
## MECHANICAL CHARACTERISTICS

Parameter	Symbol	Min	Typ	Max	Unit
Dimensions	Dim		10 x 10 x 2		Inches
Weight	Wt.		4		lbs.
Connectors In/Out	RF Conn		SMA/N-Type		-
Cooling	Th		Heat sink required		-

## OPTIONS

Parameter	Add suffix to part number
Heat sink and fans	- H
Isolator with forward and reverse voltage outputs	N/A
TTL Input Trigger	- T

# Mechanical Drawings



Harmonics at 300 watts

